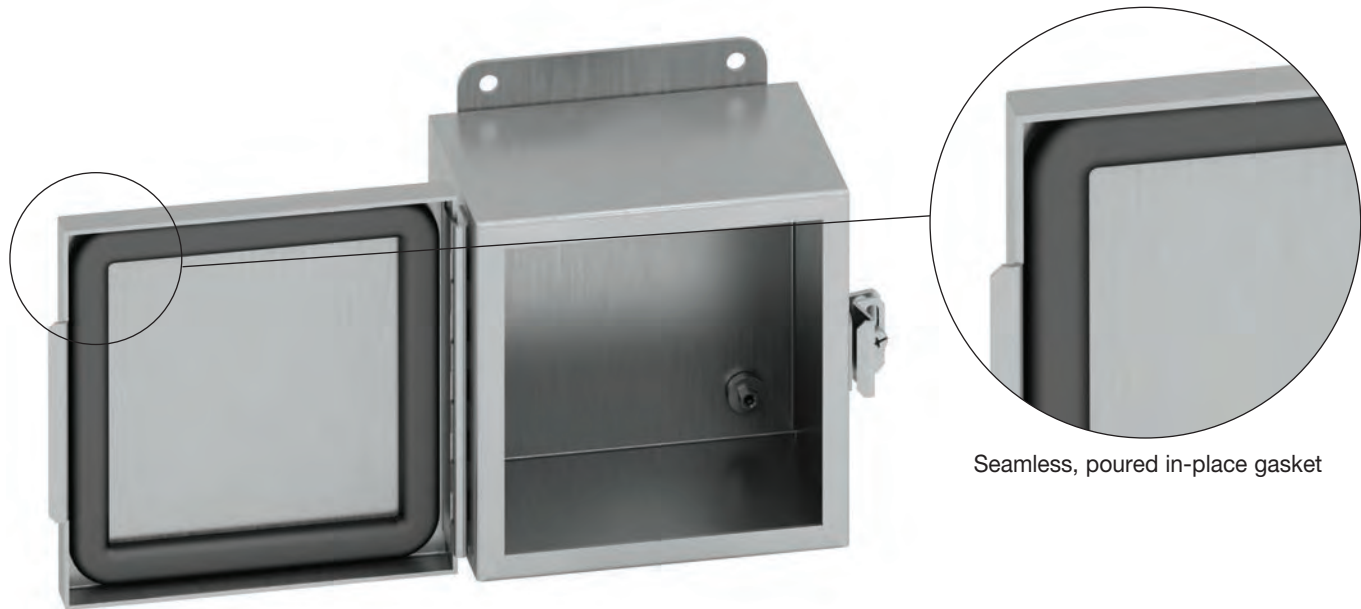


# Type 4X Panel Enclosures

## JIC Enclosures

### Type 4X Continuous Hinge Cover, Aluminum

#### Data Sheet



Seamless, poured in-place gasket

#### Application

- Houses electrical controls and instruments
- Intended for indoor or outdoor use where a corrosive environment exists
- Protects against corrosion, windblown dust and rain, splashing water and hose directed water

#### Standards

- UL 508 listed, Type 4, Type 4X, Type 12 and Type 13
- CSA C22.2 No.94 certified, Type 4, Type 4X, Type 12 and Type 13
- Conforms to NEMA standard for Type 4, Type 4X, Type 12 and Type 13
- Conforms to JIC standard EGP-1-1967
- Meets NEMA 3RX requirements

#### Finish

- Cover and sides of body have a smooth #4 brushed finish

#### Accessories

- Panels
- JIC terminal strap kit
- JIC terminal strip kit
- Terminal blocks
- See Accessories section

#### Construction

- Enclosure and cover are fabricated from (14) gauge, Type 5052-H32 aluminum
- All continuous welded seams are finished smooth
- Cover is secured to the body with an aluminum continuous hinge and pin on one side and easy-to-operate stainless steel screw clamps mounted to the opposite side
- Cover has a seamless poured in-place gasket
- #10-32 weldnuts are provided for mounting optional panel
- External mounting feet are provided for secure wall mounting

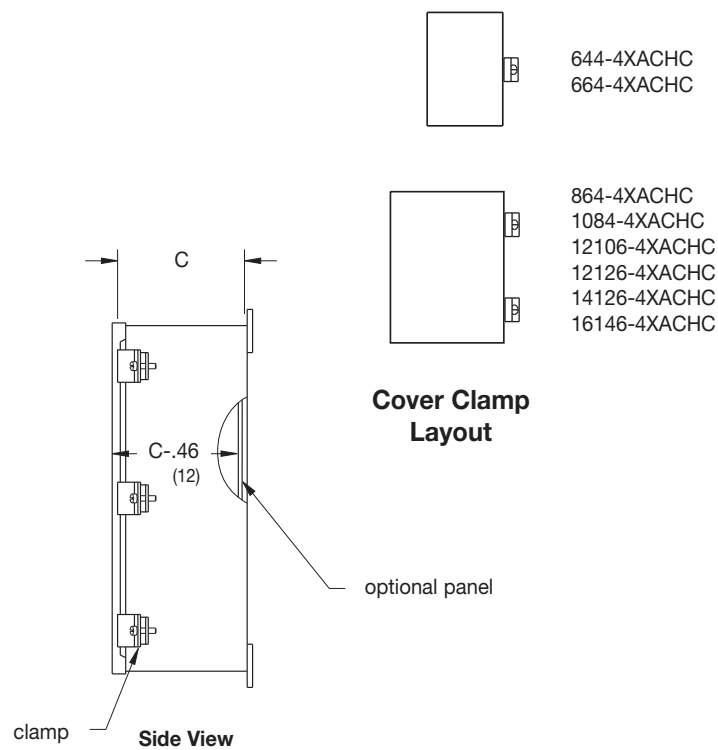
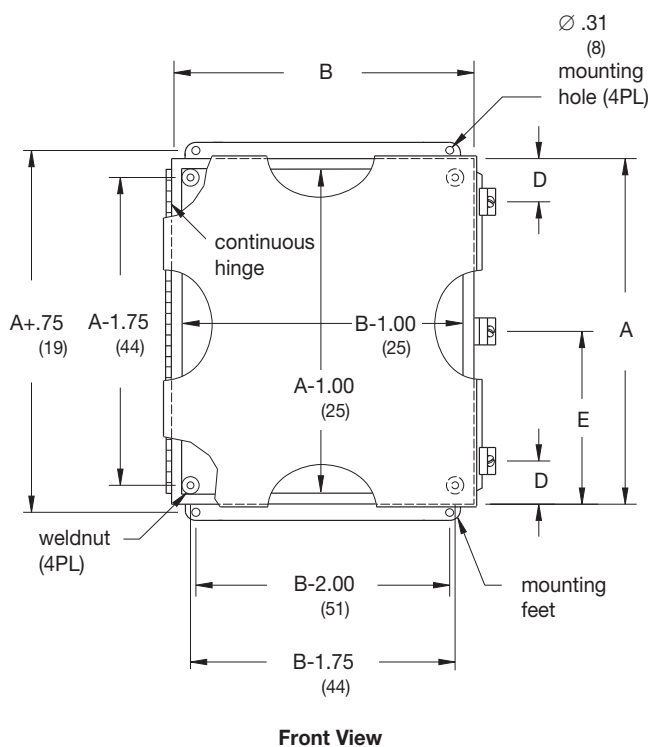
#### Discount Schedule: C2

#### Subclass: DDO

**Notes:** Cooper B-Line can provide special sizes, finishes and other modifications. Consult the factory for your special requirements.

## JIC Enclosures Type 4X Continuous Hinge Cover, Aluminum Illustration Sheet and Catalog Number

Enclosure Catalog Number	Enclosure Size Height x Width x Depth A x B x C		D		E		Panel Catalog Number		Panel Size Height x Width	
	in.	mm	in.	mm	in.	mm	Steel	Conductive	in.	mm
644-4XACHC	6.00 x 4.00 x 4.00	152 x 102 x 102	-	-	3.00	76	AW64P	AW64GP	4.87 x 2.87	124 x 73
664-4XACHC	6.00 x 6.00 x 4.00	152 x 152 x 102	-	-	3.00	76	AW66P	AW66GP	4.87 x 4.87	124 x 124
864-4XACHC	8.00 x 6.00 x 4.00	203 x 152 x 102	2.00	51	-	-	AW86P	AW86GP	6.87 x 4.87	174 x 124
1084-4XACHC	10.00 x 8.00 x 4.00	254 x 203 x 102	2.00	51	-	-	AW108P	AW108GP	8.87 x 6.87	225 x 174
12106-4XACHC	12.00 x 10.00 x 6.00	305 x 254 x 152	3.00	76	-	-	AW1210P	AW1210GP	10.87 x 8.87	276 x 225
12126-4XACHC	12.00 x 12.00 x 6.00	305 x 305 x 152	3.00	76	-	-	AW1212P	AW1212GP	10.87 x 10.87	276 x 276
14126-4XACHC	14.00 x 12.00 x 6.00	356 x 305 x 152	3.00	76	-	-	AW1412P	AW1412GP	12.87 x 10.87	327 x 276
16146-4XACHC	16.00 x 14.00 x 6.00	406 x 356 x 152	3.00	76	-	-	AW1614P	AW1614GP	14.87 x 12.87	378 x 327



Notes: Dimensions are in inches. Millimeters shown are for reference only. Data subject to change without notice.